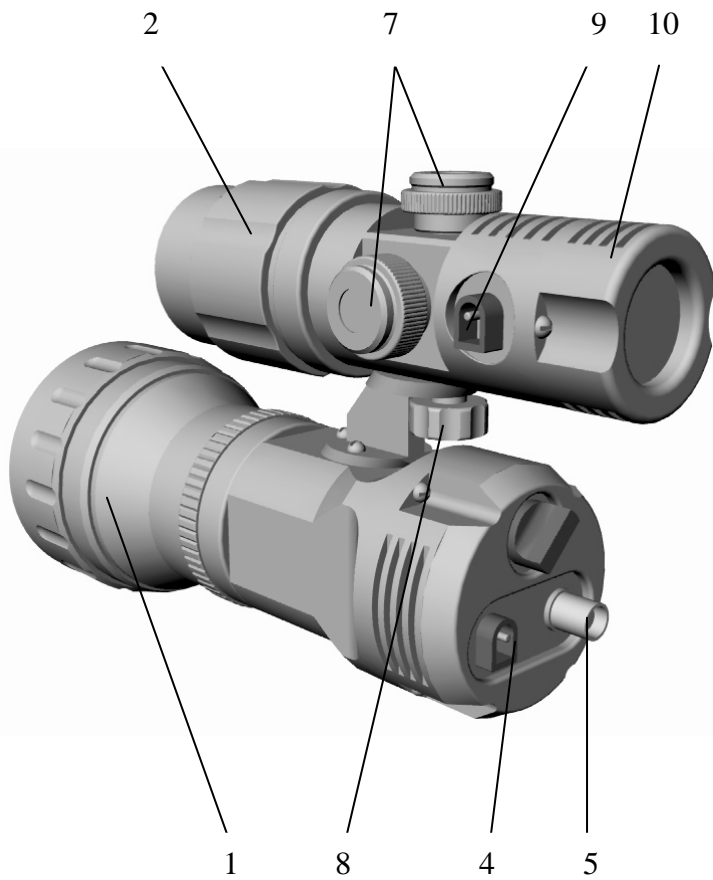


Fig.1



1. Objective lens of the NVD-KOF3NVTV
2. Objective lens of the IR-530-1000
3. Switch ON/OFF
4. Plug input DC 12 V
5. Video output
6. Switch OFF/ON (three position)
7. Adjustment mechanism
8. Fixing screw
9. Plug input DC 12 V
10. IR-530-1000 illuminator
11. R1/4" tripod hole

Fig.2

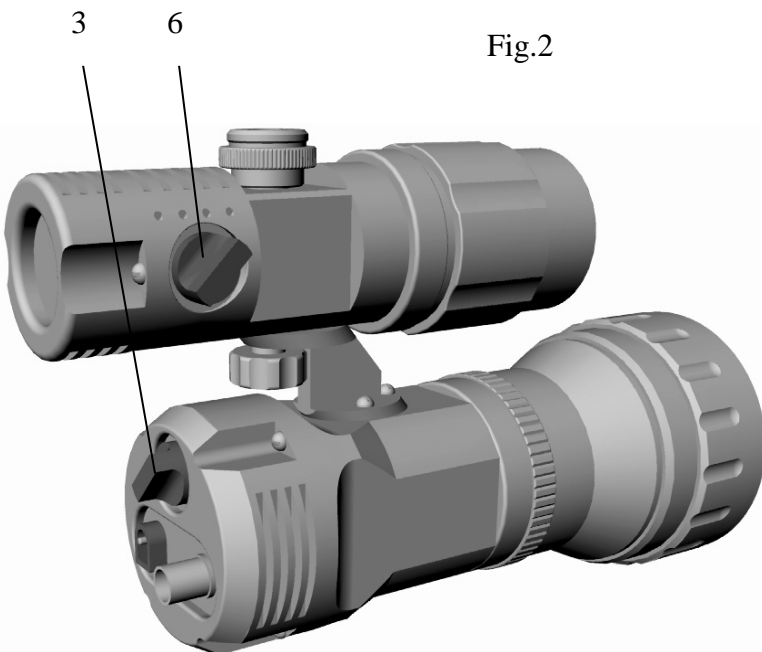


Fig.3

