

DIGISIGHT RIFLE MOUNTS

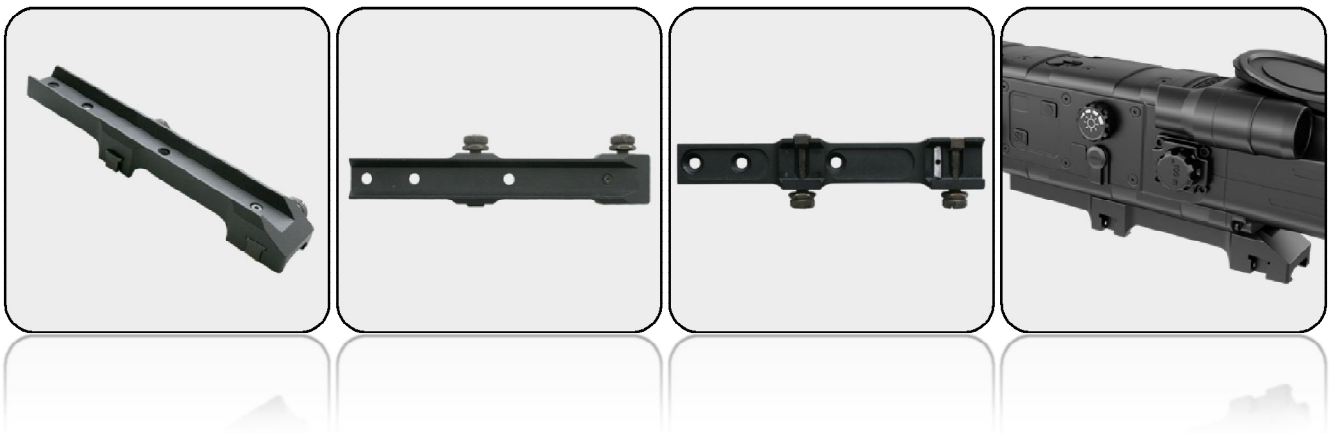
WEAVER MOUNT

Name (in the name of the riflescope): **Weaver**

Description:

Weaver mount is designated for installation of riflescope on hunting weapons, that are equipped with Weaver or Picatinny rails (majority of weapons manufactured in the USA, Russia and Europe). The front part of the mount has a transverse stopper (pin) that prevents shifting of riflescope during the recoil. The pin is removable bilateral; its position is defined depending on what rail (Weaver or Picatinny) the riflescope is mounted. Available as a separate catalogue position.

Image:



Main parameters:

- Total mount length, mm: 173
- Length of mounting part, mm: 112
- Distance between the centers of locking screws, mm: 87

RIFLE MOUNT PRISM 14/200 («EUROPRISM»)

Name (in the name of the riflescope): Prism 14/200

Description:

Rifle mount Prism 14/200 ("Europrism") is a universal base for placing mounts of different manufacturers including EAW (Apel), Blaser, MAK and others. Available as a separate catalogue position.

Image:



Main parameters:

- Total mount length, mm: 275
- Length of mounting part, mm: 127

LOS/DOVETAIL RIFLE MOUNT

Name (in the name of the riflescope): Los/Dovetail

Description:

Rifle mount Los/Dovetail allows installation of riflescopes on carbines «Los 7-1», «Los 4», «Bars 4-1» and other weapons manufactured in Russia and Europe, that have upper mount «dovetail». It cannot be installed on carbines «Los 9». Available as a separate catalogue position.

Image:



Main parameters:

- Total mount length, mm: 173
- Length of mounting part, mm: 112
- Distance between the centers of locking screws, mm: 87
- Can be installed on the “dovetail” rail with a maximum width, mm: 14,5

AK SIDE MOUNT

Name (in the name of the riflescope): **AK Side mount**

Description:

Side mount is a gun mount that allows to install the riflescope on the weapons manufactured in Soviet Union or Russia equipped with side rail dovetail including carbines «Saiga», «Tigr», «Vepr», SKS and others. Available as a separate catalogue position.

Image:



MAK Adaptor

Name (in the name of the riflescope): **MAK Adaptor**

Description:

MAK adaptor allows to equip the riflescopes with a monoblock mounts MAK (MAK Milmont, MAR Flex and others) for further installation on the weapon. Available as a separate catalogue position.

Image:

